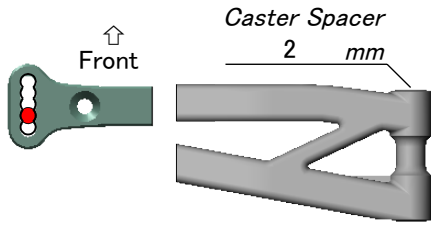
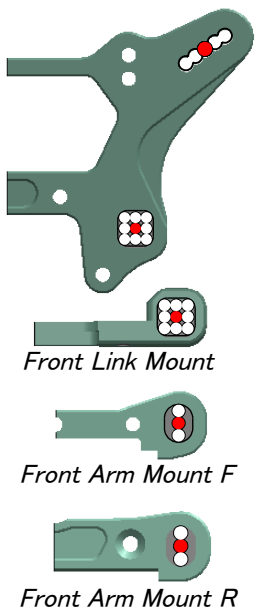


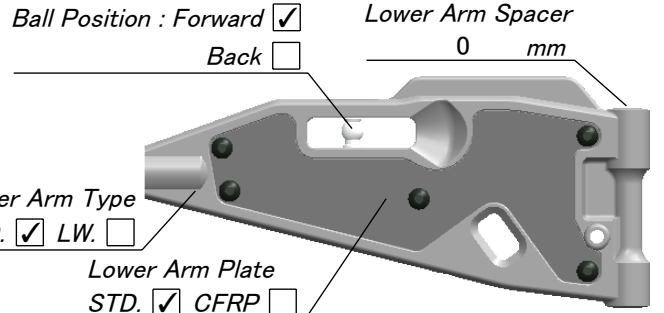
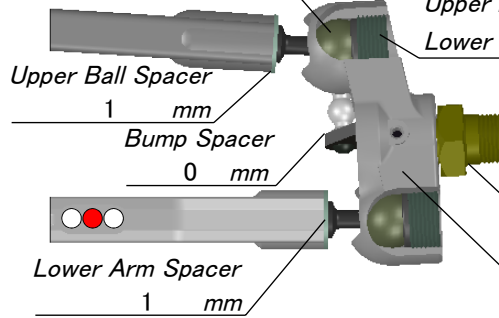
Driver : _____
 Date : _____
 Track : _____
 Event : _____

Track Condition
 Size : Open Med. Tight
 Traction : High Med. Low
 Condition : Smooth Bumpy Dry Wet
 Dusty Grooved Hard Packed

Front Suspension

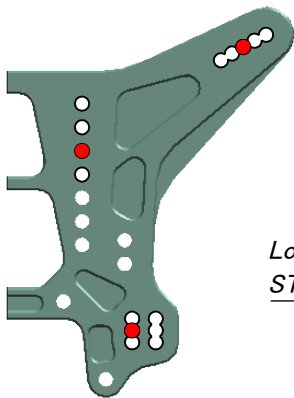


Upper : Alu. Steel
 Lower : Alu. Steel

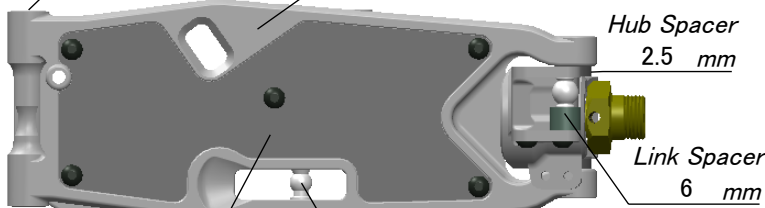


Ride Height : 36mm	Toe : Out 1°
Anti-roll Bar : ϕ 2.4 (E0165)	
F Upright Arm : 0 Dot <input type="checkbox"/> 1 Dot <input checked="" type="checkbox"/>	
Drive Shaft : CVA <input checked="" type="checkbox"/> Universal <input type="checkbox"/>	
Chassis Brace : Short <input checked="" type="checkbox"/> Long <input type="checkbox"/>	
Servo Saver Arm : STD. <input checked="" type="checkbox"/> Alu. <input type="checkbox"/>	
Servo Horn : STD. <input checked="" type="checkbox"/> Alu. <input type="checkbox"/>	
Length :	

Rear Suspension



Lower Arm Spacer 0 mm
 Lower Arm Type STD. LW.



Ball Position : Forward Back

Ride Height : 38mm	Camber : -3°
Rear Hub : Plastic <input checked="" type="checkbox"/> Alu. <input type="checkbox"/>	
Anti-Roll Bar : ϕ 2.7 (E0168)	
Drive Shaft : CVA <input checked="" type="checkbox"/> Universal <input type="checkbox"/>	
Rear Link Plate : 1Dot <input type="checkbox"/> 3Dot <input checked="" type="checkbox"/>	
Dot Orientation : In <input type="checkbox"/> Out <input checked="" type="checkbox"/>	

Shocks	Front	Rear	Differential Oil			
	Front	Center	Rear	Front	Center	Rear
 Length	Piston ϕ 1.3 x 6 (E2569)	ϕ 1.3 x 6 (E2569)		10K	10K	7K
	Oil #600	#600				
	Spring 75-7.5 (E0574)	86-9.0 (E2581)		Center Drive Shaft		
	Bladder <input type="checkbox"/>	<input type="checkbox"/>		Dog Born <input checked="" type="checkbox"/>	Dog Born <input checked="" type="checkbox"/>	
	Emulsion <input checked="" type="checkbox"/>	<input checked="" type="checkbox"/>		Universal <input type="checkbox"/>	Universal <input type="checkbox"/>	
Length 105 mm	128.5 mm		Gearing	Spur Gear 46 T	Pinion 15 T	
Notes :			Tire	Front		Rear
			Type			
			Compound			

Engine		Body & Wing		Notes	
Type		Body		Chassis Weight Front : g Rear : g	
Muffler		Wing		Notes :	
Manifold		Front Wing			
Fuel		Gap to Tower			
Reducer		Wing Position			
Grow Plug		1 <input type="checkbox"/> 2 <input checked="" type="checkbox"/> 3 <input type="checkbox"/> 4 <input type="checkbox"/>			
Engine Mount : STD. <input checked="" type="checkbox"/> 1pc. <input type="checkbox"/>					