

1/8 Scale Electric 4WD Truggy MBX8TR ECO Parts List (E2030) [] Not used in this kit

B,C,D-Parts

B0431a B0431 4pcs.

B0432 B0432 5pcs.

C0107Da C0107D 4pcs.

C0264 C0261 2pcs.
SK4x4 2pcs.

C0270 φ3x12.8 Pin 10 pcs.

C0271 φ3x13.8 Pin 10 pcs.

C0529Aa C0529A 4pcs.

C0601 C0601 2pcs. (8x16x5)

C0601/1a C0601 10pcs. (8x16x5)

C0605 C0605 2pcs. (6x10x3)

C0801Ha C0801H 2pcs.

D0602 D0602 2pcs. (6x13x5)

D0807 D0807 8pcs.

E-Parts

E0135-Ba

E0135A 12pcs. (1mm) E0135B 2pcs. (1.2mm) E0135C 2pcs. (1.4mm) E0135D 2pcs. (2mm) E0135E 2pcs. (0.9mm) E0135F 2pcs. (1.1mm)

E0155 E0155 4pcs.

E0159 E0159 4pcs.

E0160a E0160 2pcs.

E0161a E0161 4pcs.

E0162a E0162 2pcs.

E0163 E0164 E0165 E0166 E0167 E0175 OPT

E0163 φ2.2 1pc. OPT E0166 φ2.5 1pc. OPT
E0164 φ2.3 1pc. OPT E0167 φ2.6 1pc. OPT
E0165 φ2.4 1pc. E0175 φ2.1 1pc. OPT

E0168 E0169 E0170 E0171 E0172 E0176 OPT

E0168 φ2.7 1pc. E0171 φ3.0 1pc. OPT
E0169 φ2.8 1pc. OPT E0172 φ3.2 1pc. OPT
E0170 φ2.9 1pc. OPT E0176 φ2.6 1pc. OPT

E0174 OW5x8x0.1 10pcs.
OW13.5x15.9x0.2 5pcs.

E0183 E0183 5pcs.

E0210 φ3x16.8 Pin 8pcs.

B,C,D-Parts

- B0431a 3mm CONE WASHER
B0432 ANTENNA CAP (5pcs.)
C0107Da PIVOT BALL φ7mm
C0264 JOINT SHAFT
C0270 JOINT PIN(FOR E2228/E2229/E2261/E2262)
C0271 JOINT PIN(FOR E2218/E2219/E0222)
C0529Aa LINK BALL
C0601 BEARINGS (8x16x5) 2pcs.
C0601/1a BEARINGS (8x16x5) 10pcs.
C0605 BEARINGS (6x10x3) 2pcs.
C0801Ha PIVOT BUSH
D0602 BEARINGS (6x13x5) 2pcs.
D0807 BODY PIN 15/21

E-Parts

- E0135-Ba SUS. ARM SPACER
E0155 ANTI ROLL BAR LINK
E0159 ADJUST NUT
E0160a FRONT LOWER KINGPIN BALL
E0161a FRONT TRACK WIDTH ADJUST SPACER
E0162a FRONT UPPER ARM SHAFT
E0163 FRONT ANTI ROLL BAR φ2.2mm
E0164 FRONT ANTI ROLL BAR φ2.3mm
E0165 FRONT ANTI ROLL BAR φ2.4mm
E0166 FRONT ANTI ROLL BAR φ2.5mm
E0167 FRONT ANTI ROLL BAR φ2.6mm
E0168 REAR ANTI ROLL BAR φ2.7mm
E0169 REAR ANTI ROLL BAR φ2.8mm
E0170 REAR ANTI ROLL BAR φ2.9mm
E0171 REAR ANTI ROLL BAR φ3.0mm
E0172 REAR ANTI ROLL BAR φ3.2mm
E0174 WASHER SET
E0175 FRONT ANTI ROLL BAR φ2.1mm
E0176 REAR ANTI ROLL BAR φ2.6mm
E0183 REBOUND STOP ADJ. SCREW
E0210 φ3x16.8 PIN (8pcs.)

E0219a E0219 4pcs.

E0221 E0221 2pcs.

E0238 φ2.5x14.8 Pin 10pcs.

E0239a OPT E0239 2pcs.

E0240a OPT E0240 2pcs.

E0241a E0241 2pcs.

E0242 OPT E0242 2pcs.

E0322 E0322 1pc.

E0517 E0517 2pcs.

E0518 E0518 2pcs.

E0519 E0519 2pcs.

E0520 E0520 4pcs.
C0590A 4pcs.
P3.5 O-Ring(Si)8pcs.

E0545a E0545A 4pcs.
E0545B 4pcs.

E0546a E0546 4pcs.

E0548a E0548 4pcs.

E0551 E0552 E0553 E0558 E0559 E0560 OPT

E0551 φ1.6 L75/9.5T 2pcs. OPT
E0552 φ1.6 L75/9.25T 2pcs. OPT
E0553 φ1.6 L75/9.0T 2pcs. OPT
E0558 φ1.6 L75/10.25T 2pcs. OPT
E0559 φ1.6 L75/10.0T 2pcs. OPT
E0560 φ1.6 L75/9.75T 2pcs. OPT

E0554 E0555 E0556 E0561 E0562 E0563 OPT
E0568 E0569

E0554 φ1.6 L86/10.5T 2pcs. OPT
E0555 φ1.6 L86/10.25T 2pcs. OPT
E0556 φ1.6 L86/10.0T 2pcs. OPT
E0561 φ1.6 L86/11.25T 2pcs. OPT
E0562 φ1.6 L86/11.0T 2pcs. OPT
E0563 φ1.6 L86/10.75T 2pcs. OPT
E0568 φ1.6 L86/9.75T 2pcs. OPT
E0569 φ1.6 L86/9.5T 2pcs. OPT

E0571 E0572 E0573 E0574 E0581 OPT

E0571 φ1.5 L75/8.25T 2pcs. OPT
E0572 φ1.5 L75/8.0T 2pcs. OPT
E0573 φ1.5 L75/7.75T 2pcs. OPT
E0574 φ1.5 L75/7.5T 2pcs. OPT
E0581 φ1.5 L75/8.5T 2pcs. OPT

- E0219a SELF-LOCK WHEEL NUT
E0221 F/R AXLE SHAFT
E0238 JOINT PIN (φ2.5x14.8) (FOR E0220/E0221/E0242)
E0239a WHEEL HUB
E0240a WIDE OFFSET WHEEL HUB 1mm
E0241a WIDE OFFSET WHEEL HUB 2mm
E0242 AL. F/R AXLE SHAFT
E0322 RADIO BOX GROMMET
E0517 FRONT DAMPER SHAFT
E0518 REAR DAMPER SHAFT
E0519 OIL SEAL CAP
E0520 OIL SEAL SET
E0545a DAMPER END PARTS
E0546a DAMPER MOUNT PIVOT BUSH
E0548a DAMPER MOUNT PIVOT
E0551 FRONT DAMPER SPRING φ1.6 L75/9.5T
E0552 FRONT DAMPER SPRING φ1.6 L75/9.25T
E0553 FRONT DAMPER SPRING φ1.6 L75/9.0T
E0558 FRONT DAMPER SPRING φ1.6 L75/10.25T
E0559 FRONT DAMPER SPRING φ1.6 L75/10.0T
E0560 FRONT DAMPER SPRING φ1.6 L75/9.75T
E0554 REAR DAMPER SPRING φ1.6 L86/10.5T
E0555 REAR DAMPER SPRING φ1.6 L86/10.25T
E0556 REAR DAMPER SPRING φ1.6 L86/10.0T
E0561 REAR DAMPER SPRING φ1.6 L86/11.25T
E0562 REAR DAMPER SPRING φ1.6 L86/11.0T
E0563 REAR DAMPER SPRING φ1.6 L86/10.75T
E0568 REAR DAMPER SPRING φ1.6 L86/9.75T
E0569 REAR DAMPER SPRING φ1.6 L86/9.5T
E0571 FRONT DAMPER SPRING φ1.5 L75/8.25T
E0572 FRONT DAMPER SPRING φ1.5 L75/8.0T
E0573 FRONT DAMPER SPRING φ1.5 L75/7.75T
E0574 FRONT DAMPER SPRING φ1.5 L75/7.5T
E0581 FRONT DAMPER SPRING φ1.5/8.5T

E0575 E0576 E0577 E0578 E0582 OPT

E0575 φ1.5 L86/8.5T 2pcs. OPT
E0576 φ1.5 L86/8.25T 2pcs. OPT
E0577 φ1.5 L86/8.0T 2pcs. OPT
E0578 φ1.5 L86/7.75T 2pcs. OPT
E0582 φ1.5 L86/8.75T 2pcs. OPT

E0601a E0601 2pcs. (15x21x4)

E0601/1b E0601 10pcs. (15x21x4)

E0711 OPT 12T E0711 1pc. SK4x4 1pc.

E0712 OPT 13T E0712 1pc. SK4x4 1pc.

E0713 OPT 14T E0713 1pc. SK4x4 1pc.

E0714 15T E0714 1pc. SK4x4 1pc.

E0715 OPT 16T E0715 1pc. SK4x4 1pc.

E0716 OPT 17T E0716 1pc. SK4x4 1pc.

E0803 E0803 2pcs.

E0806 E0806A 1pc.

E0808a OPT E0808 1pc.

E0813 E0813A 2pcs. E0813B 2pcs.

E0814 E0814A 2pcs. E0814B 2pcs.

E0829a E0829 4pcs.

E0834 E0834 2pcs.

E0835 OPT E0835 2pcs.

E1081W OPT E1081W 1pc. (White)

E1081Y OPT E1081Y 1pc. (Yellow)

E1081B OPT E1081B 1pc. (Black)

E1085



- E0575 REAR DAMPER SPRING φ1.5 L86/8.5T
E0576 REAR DAMPER SPRING φ1.5 L86/8.25T
E0577 REAR DAMPER SPRING φ1.5 L86/8.0T
E0578 REAR DAMPER SPRING φ1.5 L86/7.75T
E0582 REAR DAMPER SPRING φ1.5 L86/8.75T
E0601a BEARINGS (15x21x4) 2pcs.
E0601/1b BEARINGS (15x21x4) 10pcs.
E0711 PINION GEAR 12T
E0712 PINION GEAR 13T
E0713 PINION GEAR 14T
E0714 PINION GEAR 15T
E0715 PINION GEAR 16T
E0716 PINION GEAR 17T
E0803 FUEL TANK BUSH
E0806 TURNBUCKLE ROD 35mm
E0808a TITANIUM TURNBUCKLE ROD 35mm
E0813 REAR UPPER ARM LINK
E0814 BALL LINK φ7mm
E0829a ANTI-ROLL BAR LINK BALL
E0834 STEERING ROD 90
E0835 TITANIUM STEERING ROD 90
E1081W REAR WING (WHITE)
E1081Y REAR WING (YELLOW)
E1081B REAR WING (BLACK)
E1085 MBX8TR ECO INSTRUCTION MANUAL

1/8スケール MBX8TR ECO パーツリスト (E2030)

E2115 E2115 2pcs.

E2116 E2116 2pcs.

E2120 E2120 2pcs.

E2121Ba OPT E2121B 2pcs.

E2123 OPT E2123 2pcs.

E2124 OPT E2124 2pcs.

E2136 E2137 E2184 OPT E2136 φ2.7 1pc. E2137 φ2.8 1pc. E2184 φ2.0 1pc.

E2138 E2185 OPT E2138 φ2.5 1pc. E2185 φ2.4 1pc.

E2139a OPT E2139 4pcs.

E2141Aa E2141A 1pc.

E2141Ba E2141B 1pc.

E2142a E2142A 1pc. E2142B 1pc. E2142C 1pc.

E2146a E2146R 1pc. E2146L 1pc. E2151A 4pcs.

E2147a OPT E2147R 1pc. E2147L 1pc. E2151A 4pcs.

E2148a E2107A 1pc. E2107B 1pc. E2148B 1pc. E2148D 1pc. E2148A 1pc. E2107F 1pc. E0188E 1pc. E2148C 2pcs.

E2149a E2149 1pc.

E2150a E2150 1pc.

E2153a OPT E2153R 1pc. E2153L 1pc.

E2158a OPT E2158 1pc. SIG3x12 1pc. SJG4x10 2pcs. Manual 1pc.

- E2115 FRONT LOWER ARM SHAFT
E2116 REAR LOWER ARM SHAFT S
E2120 REAR LOWER ARM SHAFT L
E2121Ba SERVO SAVER SPACER (FOR E2121/E2158)
E2123 KINGPIN BALL (STEEL)
E2124 ADJUST NUT (STEEL)
E2136 FRONT ANTI ROLL BAR φ2.7mm
E2137 FRONT ANTI ROLL BAR φ2.8mm
E2138 REAR ANTI ROLL BAR φ2.5mm
E2139a FRONT TRACK WIDTH ADJUST SPACER (0.5mm)
E2141Aa MOTOR MOUNT A
E2141Ba MOTOR MOUNT B
E2142a GEAR BOX
E2146a FRONT UPRIGHT
E2147a FRONT UPRIGHT(1.5)
E2148a TENSION ROD
E2149a FRONT LOWER ARM MOUNT F
E2150a FRONT LOWER ARM MOUNT R
E2153a FRONT UPRIGHT ARM CFRP
E2158a FRONT UPPER PLATE CFRP

E2160-B E2160A 1pc. E1088D 1pc. E0188C 1pc. E0188E 1pc. E0188F 1pc. E0188B-B 1pc.

E2161a E2161L 1pc. E2161R 1pc. E2161A 1pc. E2161B 1pc.

E2162a E2162L 1pc. E2162R 1pc. E2162A 1pc. E2162B 1pc.

E2163a E2163B 1pc. E0181A 1pc. E2163C 2pcs. E0181E 2pcs. E2163D 1pc.

E2164a E2164L 1pc. E2164R 1pc.

E2165 E2165 2pcs.

E2166a OPT E2166 2pcs. (1.2mm)

E2167a OPT E2167 2pcs. (1.2mm)

E2168a E2168R 1pc. E2168L 1pc.

E2172 E2172L 1pc. E2172R 1pc.

E2173 E2173A 6pcs. E2173B 6pcs. E2173C 6pcs. E2108B 4pcs. E2173D 2pcs. E2173E 2pcs. E2173F 2pcs. E2108A 4pcs. E2108F(1mm) 2pcs. E2108G(1.5mm) 2pcs. E2108H(2.5mm) 2pcs.

E2174 E2174 1pc.

E2177 E2177 4pcs.

E2178 OPT E2178 4pcs.

E2179 E2179 4pcs.

- E2160-B CENTER DIFF. MOUNT
E2161a FRONT LOWER ARM
E2162a REAR LOWER ARM
E2163a TENSION ROD
E2164a FRONT UPPER ARM
E2165 REAR UPPER ARM ROD 47
E2166a FRONT LOWER ARM PLATE (1.2mm) CFRP
E2167a REAR LOWER ARM PLATE (1.2mm) CFRP
E2168a FRONT UPRIGHT ARM (-3)
E2172 REAR HUBS
E2173 ARM MOUNT INSERT SET
E2174 FRONT LINK MOUNT
E2177 REAR LINK PLATES (+3)
E2178 REAR LINK PLATES (0)
E2179 ANTI-ROLL BAR STOPPER

E2182 E2182L 1pc. E2182R 1pc. E2182A 4pcs. E2182B 4pcs. SIG3x8 8pcs.

E2182A/B OPT E2182A 4pcs. E2182B 4pcs.

E2182L OPT E2182L 1pc.

E2182R OPT E2182R 1pc.

E2186 E2186 1pc.

E2187 E2187 1pc.

E2188 E2188L 1pc. E2188R 1pc.

E2189 E2189L 1pc. E2189R 1pc.

E2230 OPT E2230 1pc. SK5x5 1pc.

E2231 OPT E2231 1pc. SK5x5 1pc.

E2232a E2232 1pc.

E2237 E2237 2pcs.

E2238a E2238 4pcs. 10T

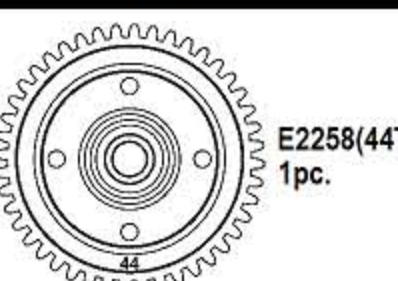
E2240a E2240 2pcs.

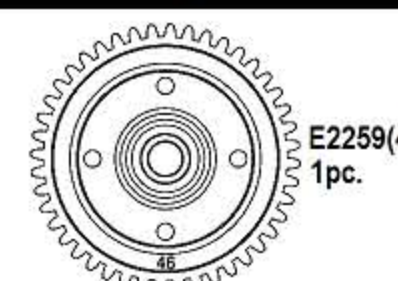
E2241 E2241 10pcs.

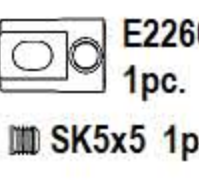
E2242a S6 O-Ring(Si) 10pcs.

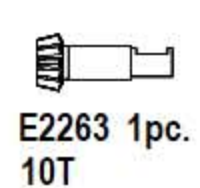
E2243 OW3.5x12x0.2 12pcs. OW6x12x0.2 6pcs.


- E2182 AL. REAR HUB SET
E2182A/B AL. REAR HUB BUSH SET
E2182L AL. REAR HUB (L)
E2182R AL. REAR HUB (R)
E2184 FRONT ANTI-ROLL BAR (φ2.0mm)
E2185 REAR ANTI-ROLL BAR (φ2.4mm)
E2186 REAR LOWER ARM MOUNT F
E2187 REAR LOWER ARM MOUNT R
E2188 LW FRONT LOWER ARMS
E2189 LW REAR LOWER ARMS
E2230 CENTER UNIVERSAL JOINT F (82.5)
E2231 CENTER UNIVERSAL JOINT R (156.5)
E2232a DIFF. CASE (H.T. DIFF.)
E2237 DIFF. CUP JOINT (H.T. DIFF.)
E2238a DIFF. GEAR 10T (H.T. DIFF.)
E2240a DIFF. SHAFT (H.T. DIFF.)
E2241 GASKET FOR DIFF. (H.T. DIFF.)
E2242a S6 O-RINGS Si (H.T. DIFF.)
E2243 DIFF. WASHER SET (H.T. DIFF.)


E2258a **OPT**  E2258(44T) 1pc.

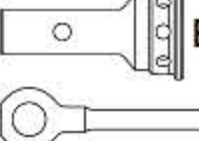
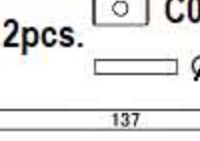
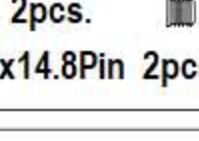
E2259a  E2259(46T) 1pc.

E2260  E2260 1pc.
SK5x5 1pc.


E2263a  E2263 1pc.
10T


E2264a  E2264 1pc.
46T


E2265  E2265 2pcs.

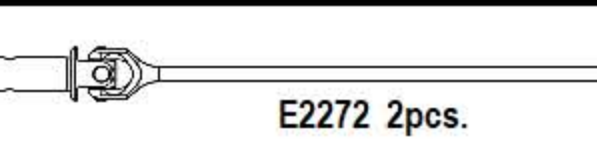
E2266  E0221 2pcs.  C0264 2pcs.  SK5x5 2pcs.
φ2.5x14.8Pin 2pcs. E2265 2pcs.





E2268  E2268 1pc.


E2269  E2269 1pc.


E2270a **OPT**  E2270 4pcs.

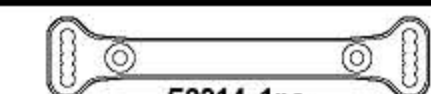
E2271  20T E2271 2pcs.

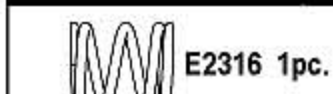
E2272 **OPT**  E2272 2pcs.


E2301a  E2301A 1pc.  E2301B 1pc.  E2301C 1pc.  E2301D 1pc.

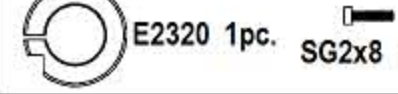
E2306a  E2306 1pc.

E2310a **OPT**  E2310 1pc.

E2314a  E2314 1pc.

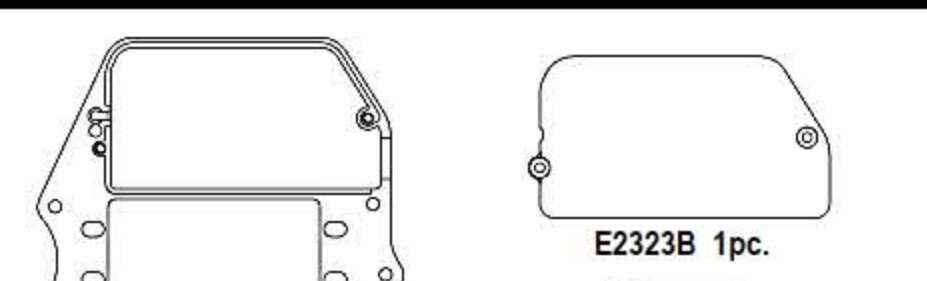
E2316  E2316 1pc.

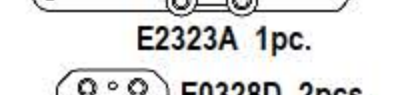

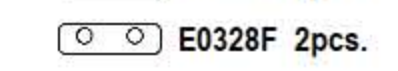

E2319  E2319 2pcs.

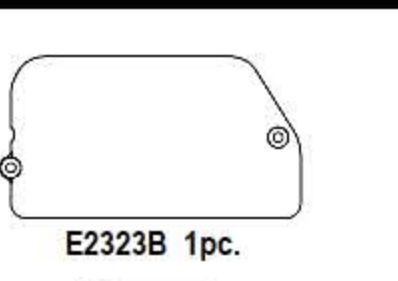
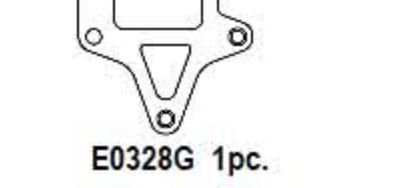
E2320  E2320 1pc. SG2x8 1pc.

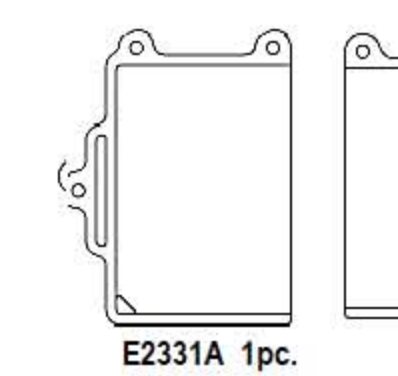
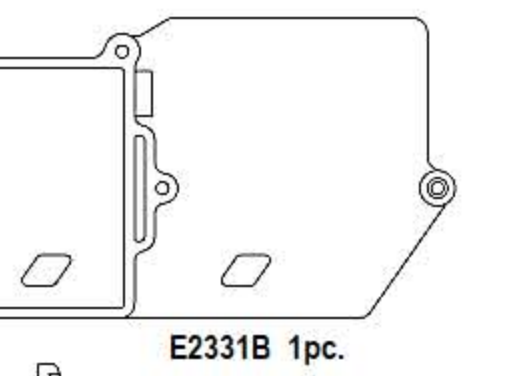


E2322 **OPT**  E2322 2pcs.


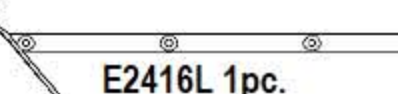
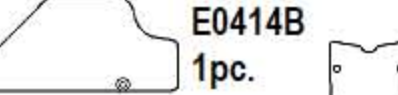
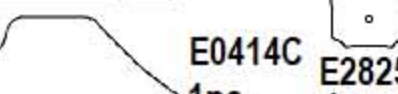
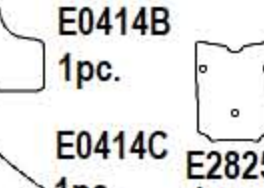
- E2258a PLASTIC SPUR GEAR H.T. 44T
- E2259a PLASTIC SPUR GEAR H.T. 46T
- E2260 CENTER JOINT CUP
- E2263a BEVEL GEAR 10T
- E2264a CONICAL GEAR 46T
- E2265 F/R DRIVE SHAFT (137)
- E2266 F/R UNIVERSAL JOINT SET
- E2268 CENTER DRIVE SHAFT (88)
- E2269 CENTER DRIVE SHAFT (161.5)
- E2270a CLOSED WHEEL NUT
- E2271 DIFF. GEAR 20T
- E2272 F/R UNIVERSAL JOINT
- E2301a SERVO SAVER
- E2306a SERVO SAVER PIPE
- E2310a AL. SERVO SAVER ARM
- E2314a STEERING PLATE
- E2316 SERVO SAVER SPRING (HARD)
- E2319 SERVO SAVER SHAFT
- E2320 SERVO SAVER SPRING ADJUSTER
- E2322 SERVO SAVER SHAFT (ALUM)

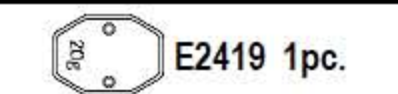
E2323-B  E2323B 1pc.

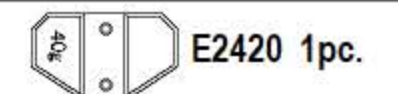
 E2323A 1pc.  E0328D 2pcs.  E0328E 2pcs.  E0328F 2pcs.

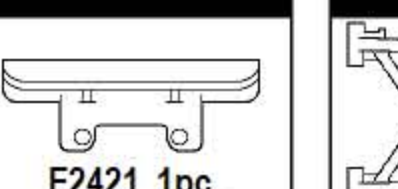
 E2323B 1pc.  E0328G 1pc.

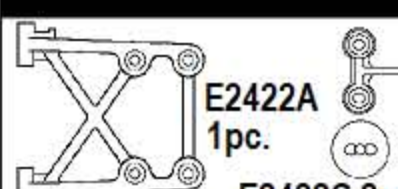
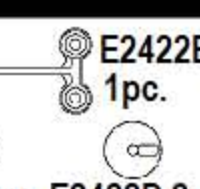
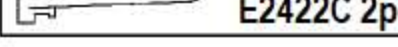
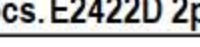
E2331  E2331A 1pc.  E2331B 1pc.  E2331C 1pc.  E2331D 1pc.

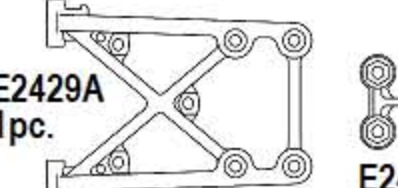

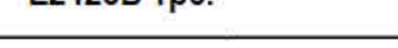

E2416-B  E2416R 1pc.  E2416L 1pc.  E0414B 1pc.  E0414C 1pc.  E2825B 1pc.

E2419a **OPT**  E2419 1pc.


E2420 **OPT**  E2420 1pc.

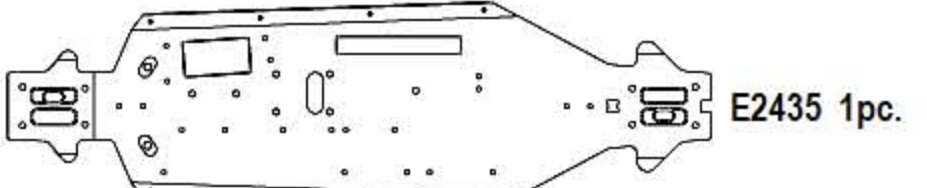
E2421a  E2421 1pc.


E2422a **OPT**  E2422A 1pc.  E2422B 1pc.  E2422C 2pcs.  E2422D 2pcs.


E2429  E2429A 1pc.  E2428B 1pc.  E2422C 2pcs.  E2422D 2pcs.

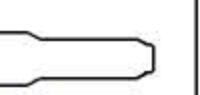
E2430  E2430 2pcs.

E2431 **OPT**  E2431 1pc.


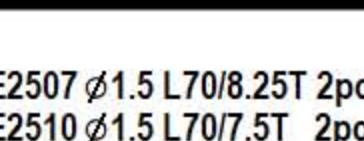
E2435  E2435 1pc.


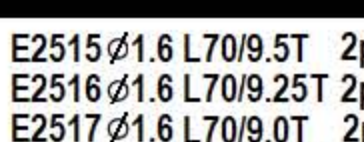
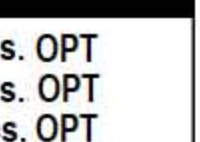
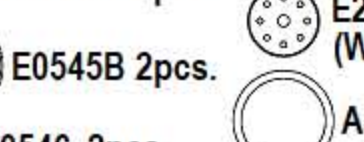
E2504a  E2504 4pcs.

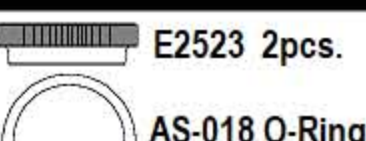

E2505  E2505 4pcs.


E2506  E2506 4pcs.


- E2323-B SERVO MOUNT & RECEIVER BOX
- E2331 BATTERY HOLDER
- E2416-B STONE GUARD
- E2419a WEIGHT 20g
- E2420 WEIGHT 40g
- E2421a FRONT BUMPER
- E2422a REAR WING STAY
- E2429 REAR WING MOUNT (+15)
- E2430 AL. WING BUTTONS
- E2431 REAR WING MOUNT PLATE CFRP
- E2435 CHASSIS
- E2504a DAMPER END BALL
- E2505 DAMPER BOOTS S
- E2506 DAMPER BOOTS L


E2507 E2510 **OPT**  E2507 φ1.5 L70/8.25T 2pcs. OPT  E2510 φ1.5 L70/7.5T 2pcs. OPT


E2515 E2516 E2517 E2518 **OPT**  E2515 φ1.6 L70/9.5T 2pcs. OPT  E2516 φ1.6 L70/9.25T 2pcs. OPT  E2517 φ1.6 L70/9.0T 2pcs. OPT  E2518 φ1.6 L70/8.75T 2pcs. OPT


E2523  E2523 2pcs.  AS-018 O-Ring 2pcs.

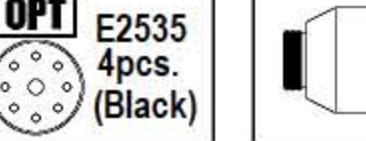
E2524  E2524 4pcs.

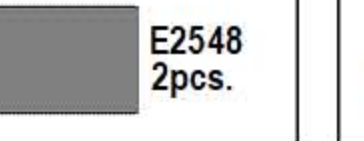
E2525a  E2525 4pcs. (White)


E2526a  E2526 2pcs.

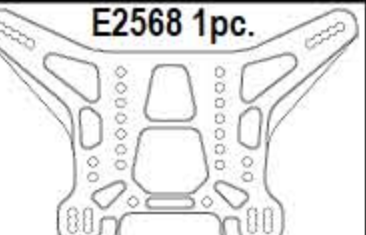
E2530  AS-018 O-Ring 10pcs.

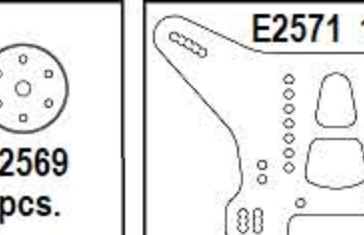
E2534a **OPT**  E2534 4pcs.


E2535a **OPT**  E2535 4pcs. (Black)


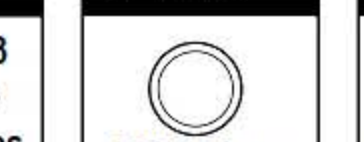
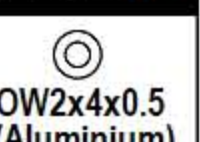

E2548  E2548 2pcs.


E2564  E2564 4pcs.


E2568a  E2568 1pc.



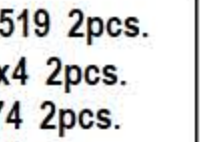








E2569a  E2569 4pcs.

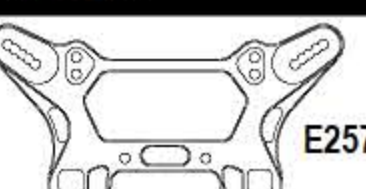
E2571 **OPT**  E2571 1pc.

E2572a  E2572 2pcs.  E0546 2pcs.  SG2x4 2pcs.  E2574 2pcs.










E2573  E2573 4pcs.

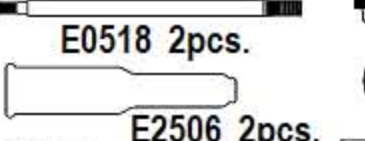
E2574a  OW2x4x0.5 (Aluminium) 10pcs.

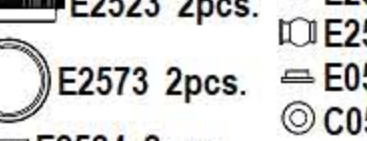
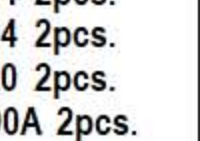


E2577  E2577 2pcs.  E0517 2pcs.  E2505 2pcs.  E2523 2pcs.  SG2x4 2pcs.  E2574 2pcs.  E2504 2pcs.  E0520 2pcs.  C0590A 2pcs.  E2524 2pcs.  E2525 2pcs. (White) P3.5 O-Ring(Si) 4pcs. OW2.6x6x0.5 2pcs. SN2.6 2pcs. AS-018 O-Ring 2pcs.


E2579  E2579 1pc.


- E2507 FRONT DAMPER SPRING φ1.5 L70/8.25T
- E2510 FRONT DAMPER SPRING φ1.5 L70/7.5T
- E2515 FRONT DAMPER SPRING φ1.6 L70/9.5T
- E2516 FRONT DAMPER SPRING φ1.6 L70/9.25T
- E2517 FRONT DAMPER SPRING φ1.6 L70/9.0T
- E2518 FRONT DAMPER SPRING φ1.6 L70/8.75T
- E2523 DAMPER SPRING ADJUSTER
- E2524 DIAPHRAGM
- E2525a DAMPER PISTON (φ1.3/8H)
- E2526a FRONT DAMPER CASE
- E2530 AS-018 O-RINGS
- E2534a DAMPER PISTON (φ1.35/5H)
- E2535a DAMPER PISTON (φ1.2/8H)
- E2548 REAR DAMPER CASE
- E2564 SHOCK PIN
- E2568a REAR DAMPER STAY
- E2569a DAMPER PISTON (φ1.3/6H)
- E2571 REAR DAMPER STAY CFRP
- E2572a EMULSION DAMPER CAP
- E2573 EMULSION DAMPER CAP SEAL
- E2574a OW2x4x0.5 AL. WASHER
- E2577 FRONT SHOCK SET
- E2579 FRONT SHOCK TOWER


E2580  E2548 2pcs.  E2572 2pcs.  SG2x4 2pcs.  E2574 2pcs.  E2504 2pcs.  E0520 2pcs.  C0590A 2pcs.  E2524 2pcs.  E2525 2pcs. (White) P3.5 O-Ring(Si) 4pcs. OW2.6x6x0.5 2pcs. SN2.6 2pcs. AS-018 O-Ring 2pcs.


 E0518 2pcs.


 E2506 2pcs.  E0545A 2pcs.  E0545B 2pcs.  E0546 2pcs.









E2581  E2581 φ1.6 L86/9T 2pcs.


E2601a **OPT**  E2601 2pcs. (5x10x4)

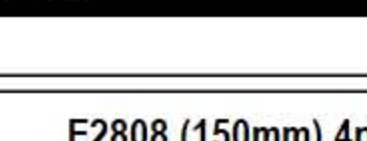
E2601/1a **OPT**  E2601 10pcs. (5x10x4)

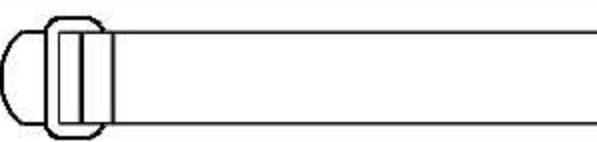

E2602 **OPT**  E2602 2pcs. (8x16x5)

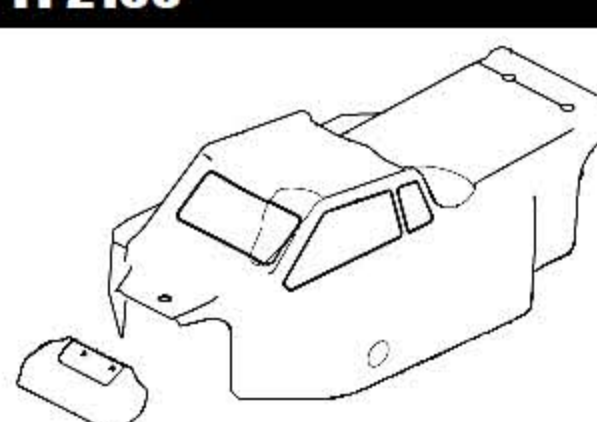
E2602/1 **OPT**  E2602 10pcs. (8x16x5)

E2803a  E2803A 1pc.  E2803B 1pc.  E2803C 1pc.  E2803D 1pc.  E2803E 1pc.  E0820 3pcs.  E0822 1pc.  E2803F 1pc.

E2804a  E2804 4pcs.


E2808  E2808 (150mm) 4pcs.

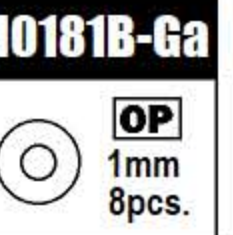
E2828  E2828M (380mm) 1pc.  E2828L (455mm) 1pc.

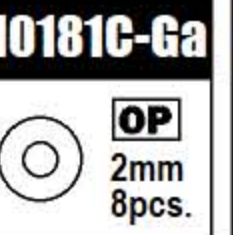
FP2155 


- E2580 REAR SHOCK SET
- E2581 REAR SHOCK SPRING φ1.6 L86/9T
- E2601a 5x10x4 NMB BEARINGS (2pcs.)
- E2601/1a 5x10x4 NMB BEARINGS (10pcs.)
- E2602 8x16x5 NMB BEARINGS (2pcs.)
- E2602/1 8x16x5 NMB BEARINGS (10pcs.)
- E2803a SERVO HORN
- E2804a PIVOT BALL
- E2808 ANTENNA PIPE (150mm)
- E2828 BATTERY STRAP SET
- FP2155 BODY MBX8TR/ECO

H,T-Parts

H0181A-Ga **OP**  0.5mm 8pcs.

H0181B-Ga **OP**  1mm 8pcs.

H0181C-Ga **OP**  2mm 8pcs.

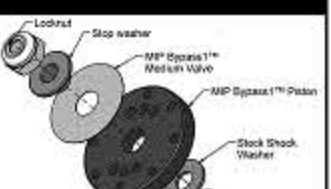
H0181D-Ga  3mm 8pcs.

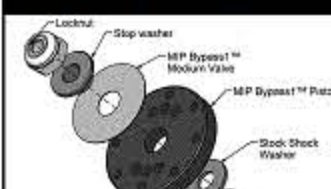
H0274  φ2.5x11.8 Pin 10pcs.

H0855a  C0111C 4pcs.


T2805a  T2805 4pcs.


- H0181A-Ga 3mm SPACER 0.5mm
- H0181B-Ga 3mm SPACER 1.0mm
- H0181C-Ga 3mm SPACER 2.0mm
- H0181D-Ga 3mm SPACER 3.0mm
- H0274 ROLLER PIN φ2.5x11.8 (10pcs.)
- H0855a BALL LINK φ6mm (C0111C)
- T2805a AL. PIVOT BALL φ6

FP18400a **OPT** 

FP18410a **OPT** 

- FP18400a MIP Bypass1 Piston,6H Set,16mm
- FP18410a MIP Bypass1 Piston,8H Set,16mm

P0402 

P0403 **OPT** 

- P0402 12 LOGO STICKER
- P0403 12 LOGO STICKER (METALLIC)